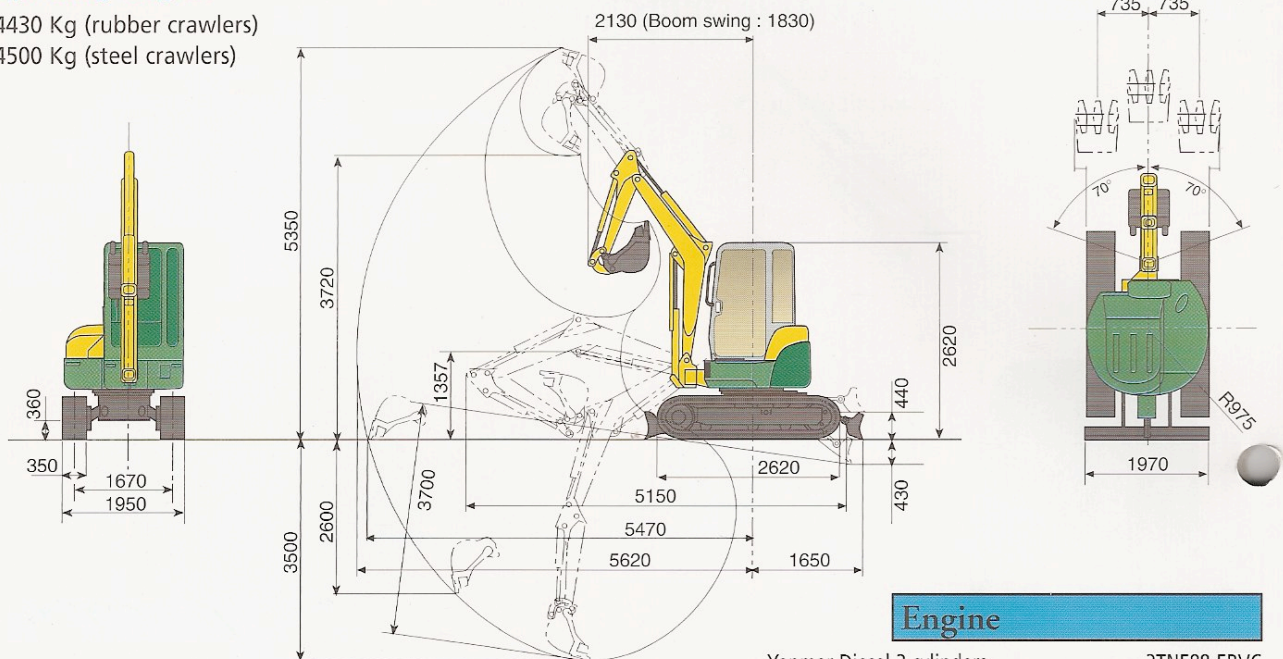


SPECIFICATIONS VIO 45

Operating weight :

4430 Kg (rubber crawlers)

4500 Kg (steel crawlers)



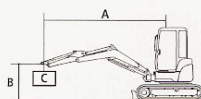
The manufacture reserves the right to alter vehicle specifications. Dimensions in mm given with standard Yanmar bucket.

Machine with cabin, rubber crawler, bucket of 123 kg

A : Reach from swing centre line (m)

B : Load point height (m)

C : Rated lift capacity in kg.



Blade on ground								
A	Maxi		4,0 m		3,0 m		2,5 m	
B								
4,0	680	*730	-	-	-	-	-	-
3,0	540	*810	640	*750	-	-	-	-
2,0	440	*870	620	*940	*1100	*1100	*1360	*1360
1,0	410	*880	610	*1100	990	*1590	1280	*2100
0	450	*930	590	*1190	950	*1750	1210	*2190
-1,0	540	*1010	570	*1130	940	*1680	1330	*1960
-2,0	870	*1060	-	-	980	*1190	1310	*1550

: Rating over front

: Rating over side 180°

Blade above ground								
A	Maxi		4,0 m		3,0 m		2,5 m	
B								
4,0	680	*730	-	-	-	-	-	-
3,0	530	570	640	*750	-	-	-	-
2,0	430	480	610	690	960	*1100	*1360	*1360
1,0	400	450	570	650	980	1060	1250	*1440
0	430	480	570	630	930	1030	1170	*1330
-1,0	540	590	570	620	910	1020	1300	*1270
-2,0	860	900	-	-	1050	1050	1290	*1550

The lifted loads listed is RATED LIFT CAPACITY complies with ISO 10567.
Smaller values are of either the RATED TIPPING LOAD (75% of the static tipping load)
or the RATED HYDRAULIC LIFT CAPACITY (87% of hydraulic capacity).
The asterisked value * shows the rated hydraulic lift capacity.

Engine

Yanmar Diesel 3 cylinders 3TNE88-EBVC
Rated output (DIN 6270B) 22,8kw/31HP/2500 rpm
Displacement 1642 cm³
Max. torque 106,9 N.m/1400 rpm

Hydraulic circuit

System capacity 65 l
Max. pressure 220 bars
Total pump capacity 119,8 l/mn
2 variable plunger pumps 2 x 42 l/mn
1 gear pump 1 x 35,8 l/mn

Performances

Travelling speed 4,7/2,5 km/h
Swing speed 9,5 rpm
Digging force (arm/bucket) 2150/3350 kgf
Boom swing 70°/70°
Ground pressure 0,286/0,29 kg/cm²
Gradeability 30°
Shoe width 350 mm
Ground clearance 360 mm

Various data

Fuel tank 55 L
Cooling system 6 L
Transport dimensions 5150 x 1970 x 2620 mm
Noise level LpA (89/514/EEC) 81 dBA
LwA (2000/14/EC) 98 dBA

PTO	Maxi theoretical data	
	bar	2500 rpm
	0 ~ 220	77 ~ 33 l/mn



The flow is lower when the pressure is higher.